



**“For biological probes
up to 0.2 mm thickness
and 0.6 / 3.9 mm³
volume”**

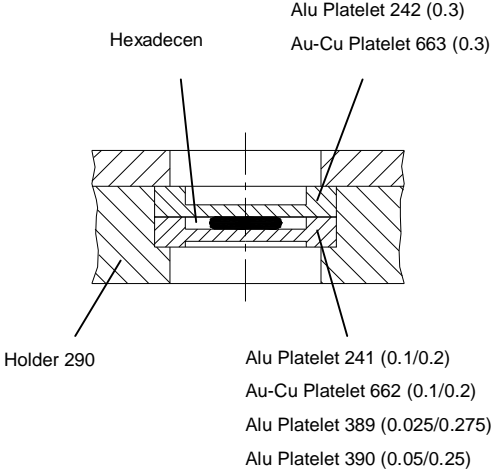
**Choose the right consumables for the right
applications!**

Art. 700 / HPF Compact 02

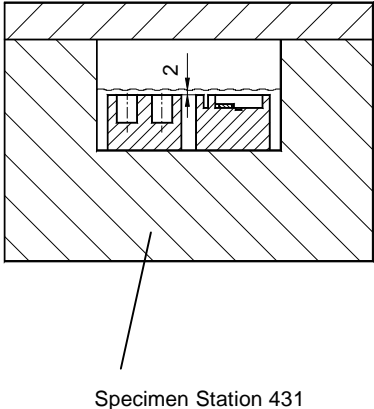
Applications with platelets diameter 3 mm

Freeze Substitution

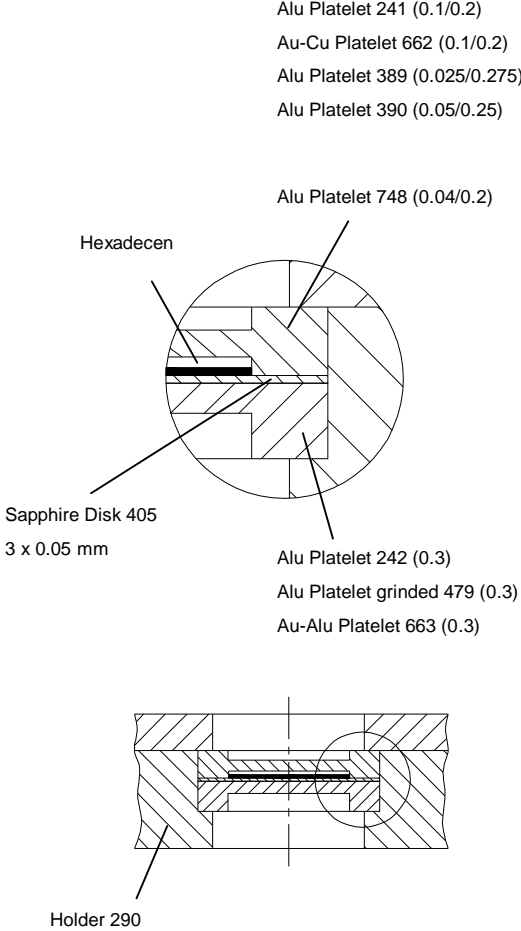
Picture 1



Picture 2



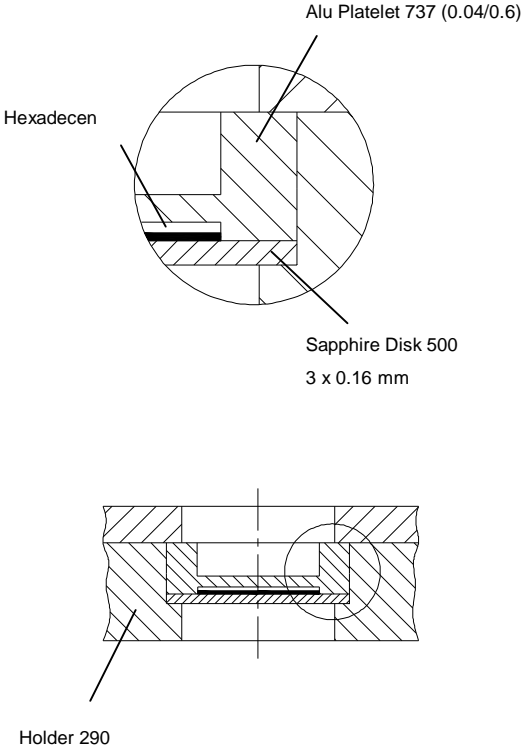
Picture 3



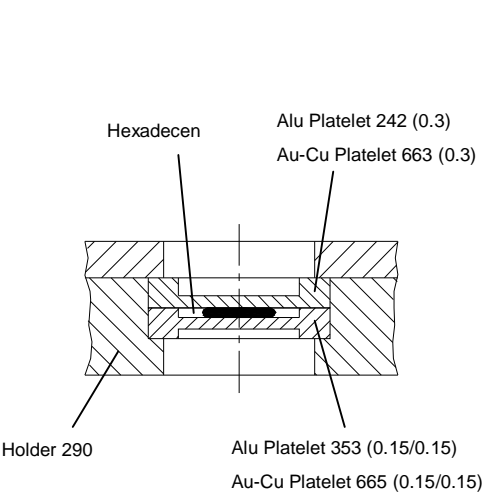
Applications with platelets diameter 3 mm

Freeze Substitution

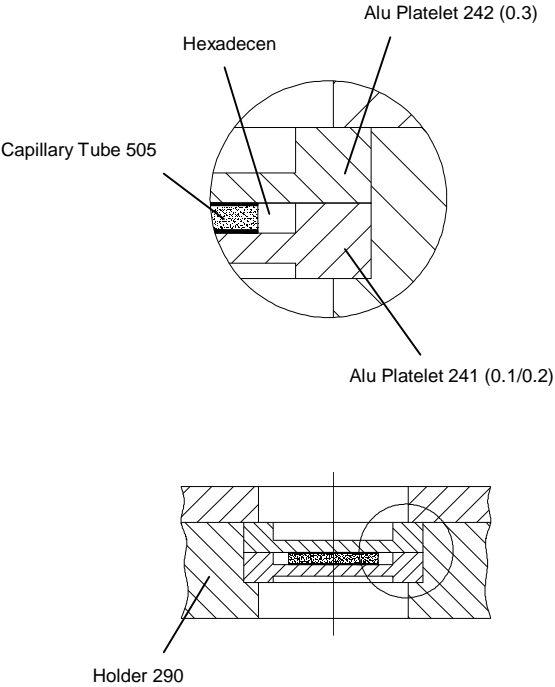
Picture 4



Picture 5



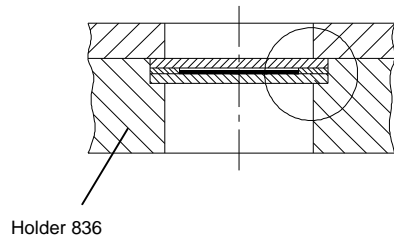
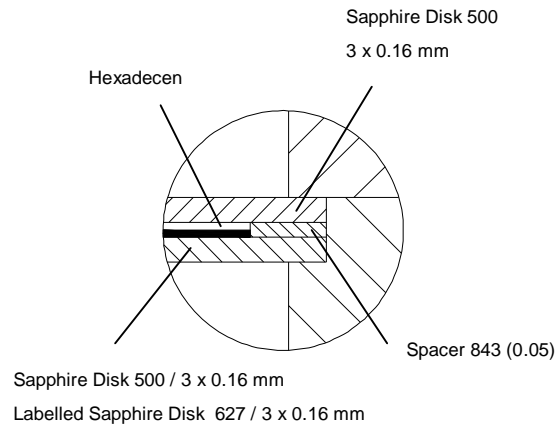
Picture 6



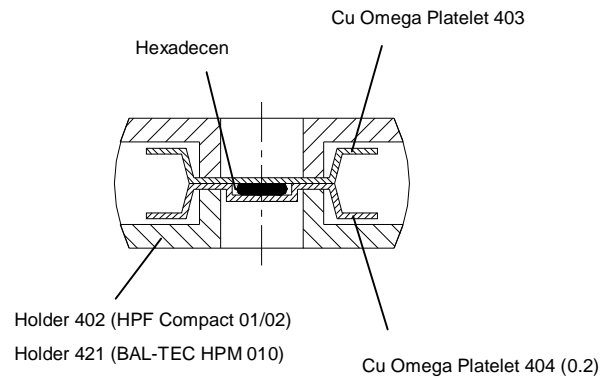
Applications with platelets diameter 3 mm and Omega platelets

CLEM / Freeze-Fracturing

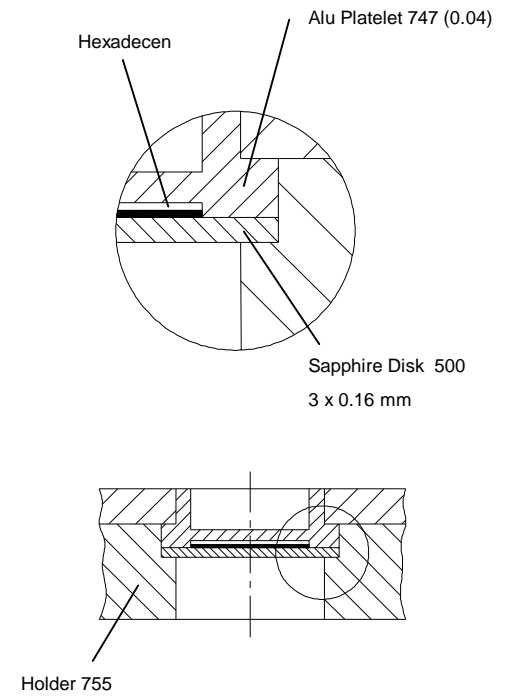
Picture 7



Picture 8



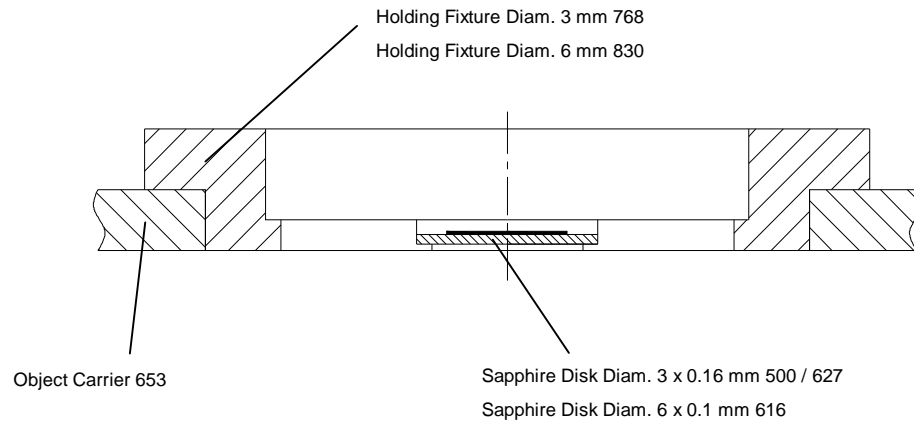
Picture 9



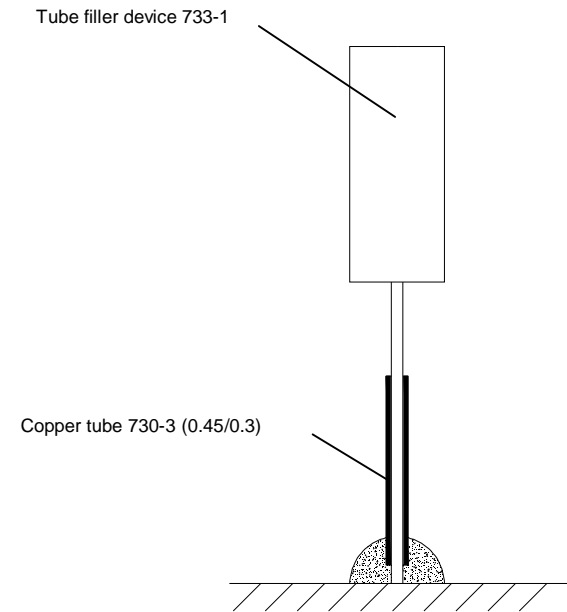
Applications with sapphire disks and copper tubes

CLEM, Cryo-Sectioning

Picture 10



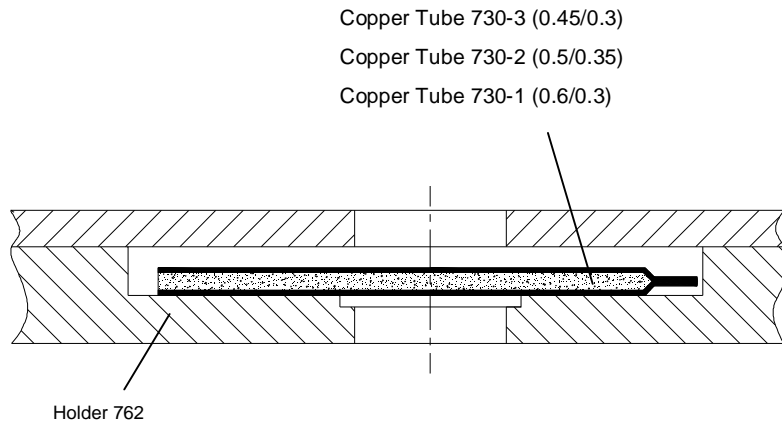
Picture 11



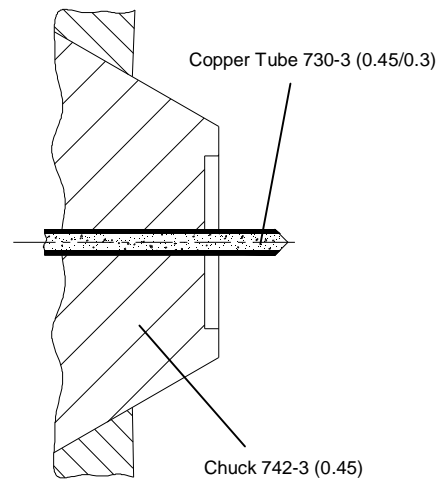
Applications with sapphire disks and copper tubes

Cryo-Sectioning

Picture 12



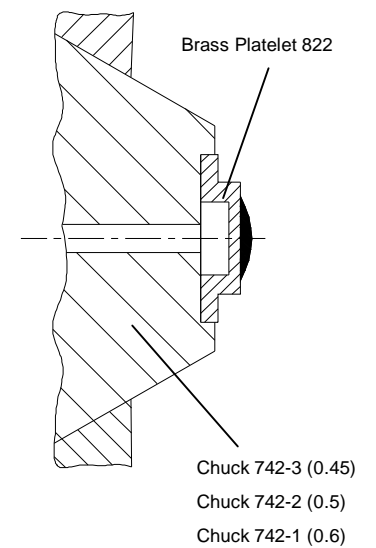
Picture 13



Additional Tubes:
Copper Tube 730-1 (0.6/0.3)
Copper Tube 730-2 (0.5/0.35)

Additional chucks:
Chuck 742-1 (0.6)
Chuck 742-2 (0.5)

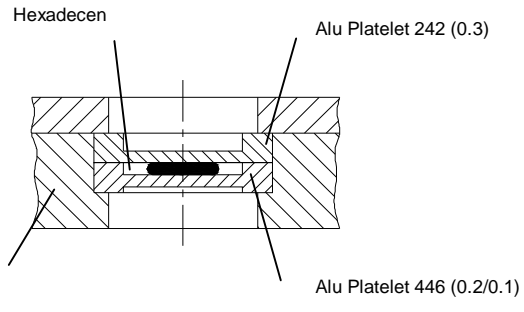
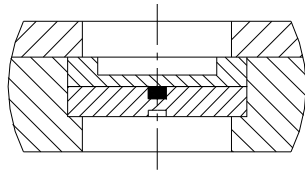
Picture 14



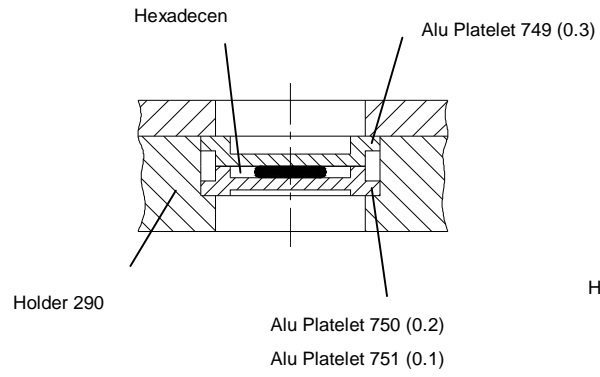
Applications with platelets diameter 3 mm

Freeze Substitution / Cryo-Sectioning

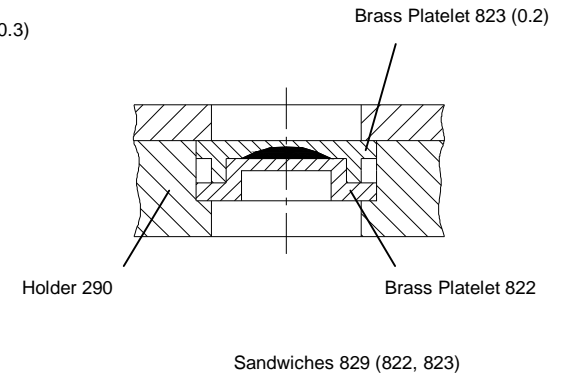
Picture 15



Picture 16



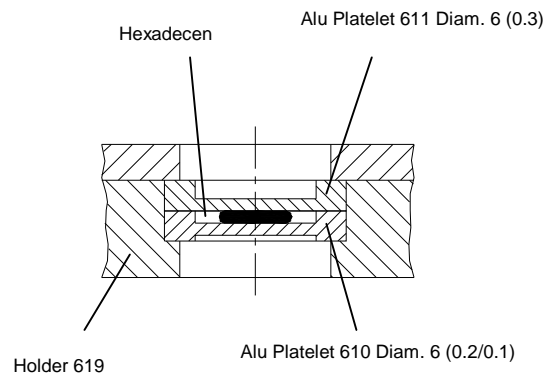
Picture 17



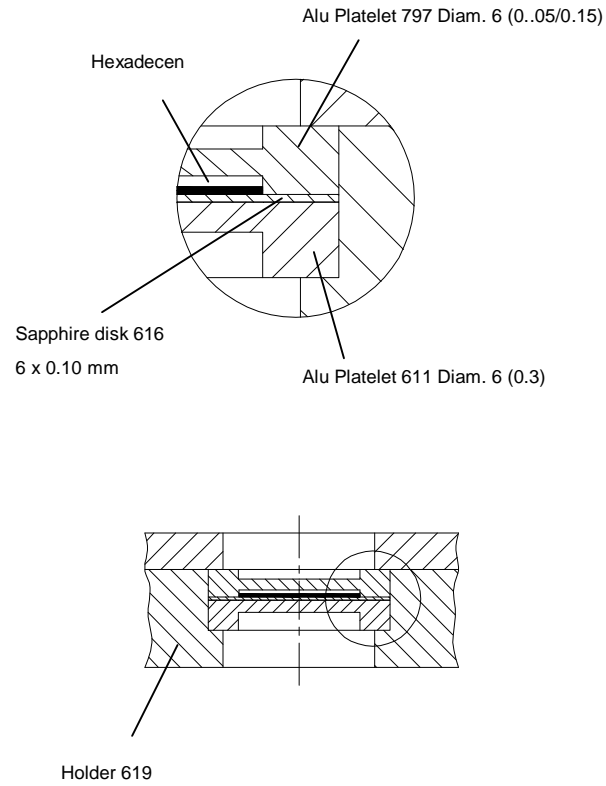
Applications with platelets diameter 6 mm

Freeze Substitution

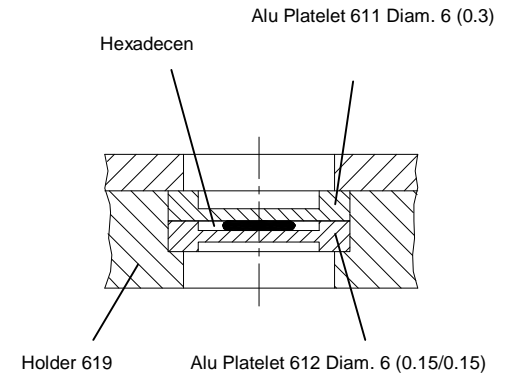
Picture 18



Picture 19



Picture 20



Changes subject to technical aspects are reserved.